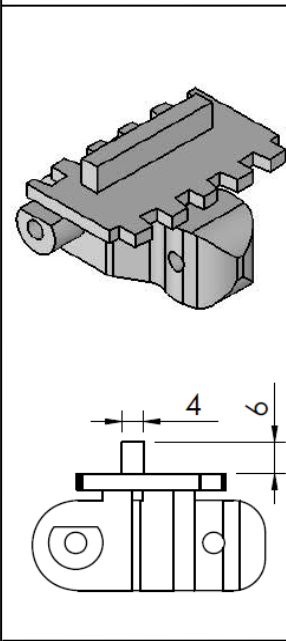
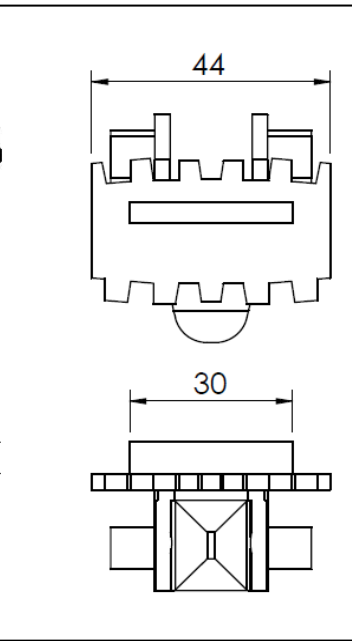
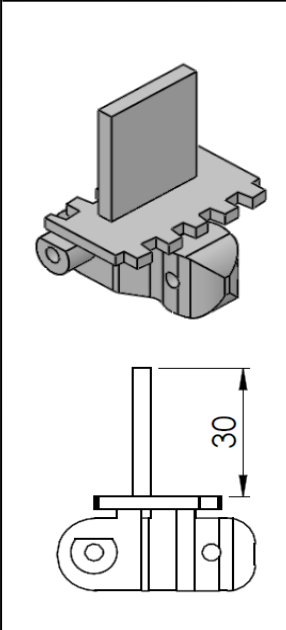
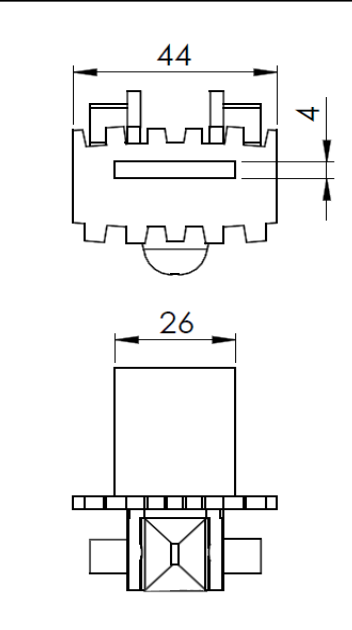
	<p>Plain chain 平面鏈條</p> <table border="1"> <thead> <tr> <th>Chain</th> <th>Link</th> </tr> </thead> <tbody> <tr> <td>FSTP 5</td> <td>FSTL 44</td> </tr> <tr> <td>FSTP 5C</td> <td>F5111000</td> </tr> <tr> <td>Ultra wear resist chain</td> <td>超耐磨</td> </tr> <tr> <td>FSTP 5E</td> <td>FSTL 44E</td> </tr> <tr> <td>Antistatic chain</td> <td>抗靜電</td> </tr> <tr> <td>F3903455</td> <td>F3903454</td> </tr> <tr> <td>PVDF</td> <td></td> </tr> </tbody> </table>	Chain	Link	FSTP 5	FSTL 44	FSTP 5C	F5111000	Ultra wear resist chain	超耐磨	FSTP 5E	FSTL 44E	Antistatic chain	抗靜電	F3903455	F3903454	PVDF		<p>F45 FT FS FL F65 FM F85</p>
Chain	Link																		
FSTP 5	FSTL 44																		
FSTP 5C	F5111000																		
Ultra wear resist chain	超耐磨																		
FSTP 5E	FSTL 44E																		
Antistatic chain	抗靜電																		
F3903455	F3903454																		
PVDF																			
		<p>Cleated chain 檔板鏈條</p> <table border="1"> <thead> <tr> <th>Chain</th> <th>Link</th> </tr> </thead> <tbody> <tr> <td>F5051181</td> <td>F5051183</td> </tr> </tbody> </table>	Chain	Link	F5051181	F5051183	<p>FH FK FB Spiral FW IDX</p>												
Chain	Link																		
F5051181	F5051183																		
		<p>Cleated chain 檔板鏈條</p> <table border="1"> <thead> <tr> <th>Chain</th> <th>Link</th> </tr> </thead> <tbody> <tr> <td>F5051181A</td> <td>F5051183A</td> </tr> </tbody> </table>	Chain	Link	F5051181A	F5051183A													
Chain	Link																		
F5051181A	F5051183A																		

FS

Pitch
25.4mm

F45

FT

FS

FL

F65

FM

F85

FH

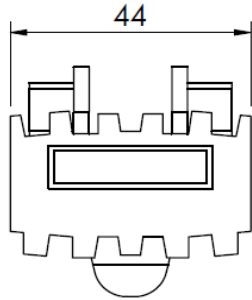
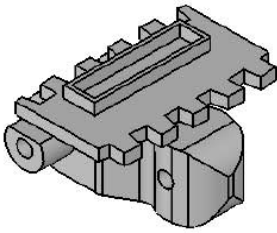
FK

FB

Spiral

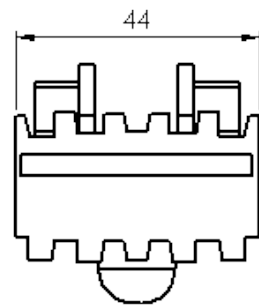
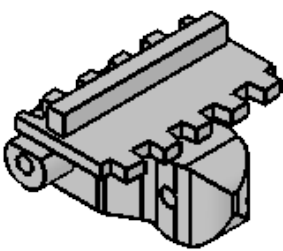
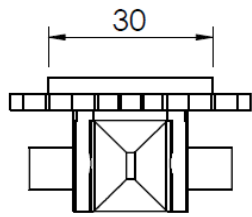
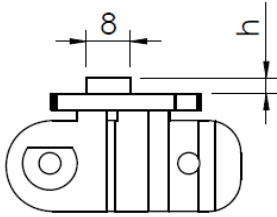
FW

IDX



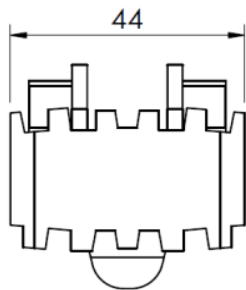
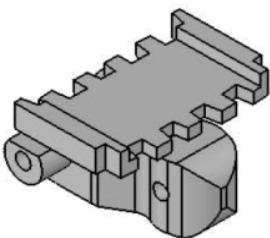
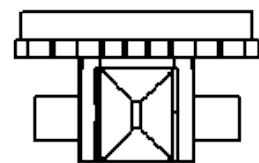
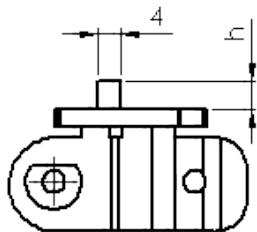
Cleated chain 檔板鏈條

Chain	Link	DIM.
FSTF 5X_D	FSTL 44X_D	
FSTF 5X3D	FSTL 44X3D	h=3
FSTF 5X5.5D	FSTL 44X5.5D	h=5.5
FSTF 5X9D	FSTL 44X9D	h=9
FSTF 5X20D	FSTL 44X20D	h=20
FSTF 5X27D	FSTL 44X27D	h=27



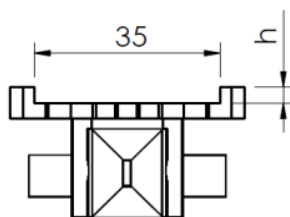
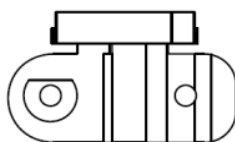
Cleated chain 檔板鏈條

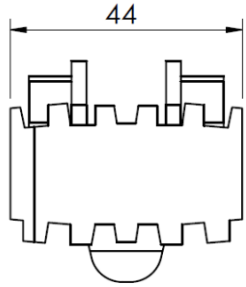
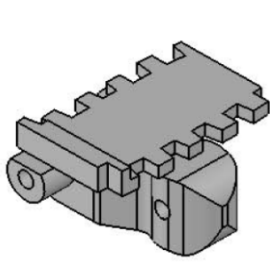
Chain	Link	DIM.
FSTF 5X_G	FSTL 44X_G	
FSTF 5X3G	FSTL 44X3G	h=3
FSTF 5X5G	FSTL 44X5G	h=5
FSTF 5X9G	FSTL 44X9G	h=9



Chain w/ elevated edges
側邊檔板鏈條

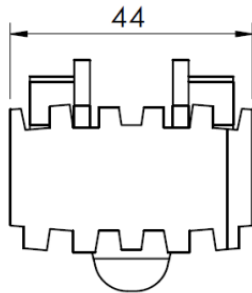
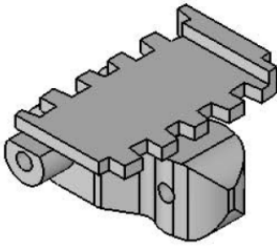
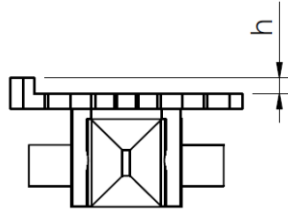
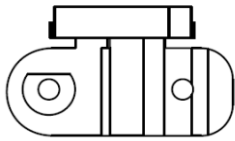
Chain	Link	DIM.
F3924151	F3902436	h=3
F3924151B	F3902436B	h=6





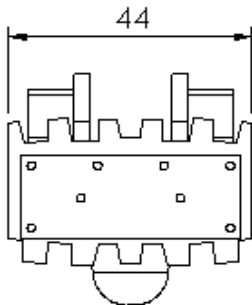
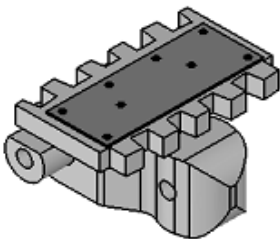
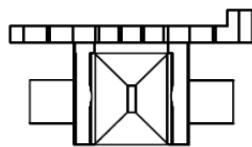
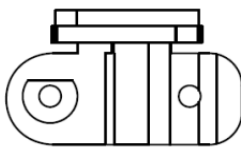
Chain w/ elevated edges, left
左側邊檔板鏈條

Chain	Link	DIM.
F3924151L	F3902436L	h=3
F3924151LB	F3902436LB	h=6



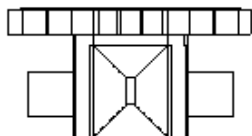
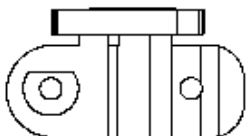
Chain w/ elevated edges, right
右側邊檔板鏈條

Chain	Link	DIM.
F3924151R	F3902436R	h=3
F3924151RB	F3902436RB	h=6



Friction top chain 阻滑鏈條

Chain	Link
FSTP 5F	FSTL 44F



F45

FT

FS

FL

F65

FM

F85

FH

FK

FB

Spiral

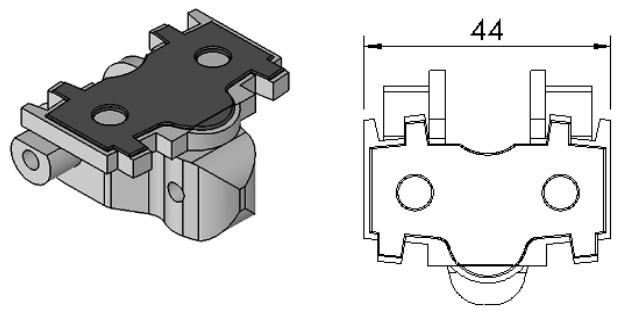
FW

IDX

FS

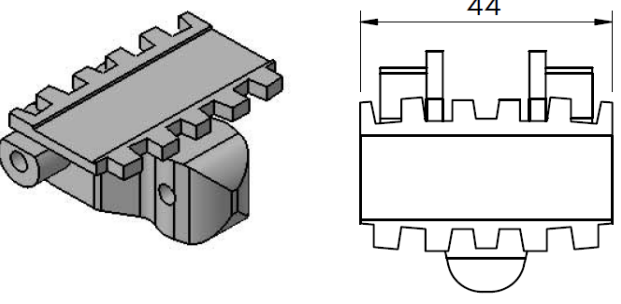
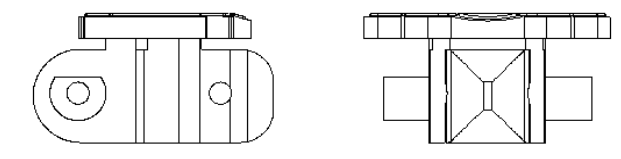
Pitch
25.4mm

- F45
- FT
- FS**
- FL
- F65
- FM
- F85
- FH
- FK
- FB
- Spiral
- FW
- IDX



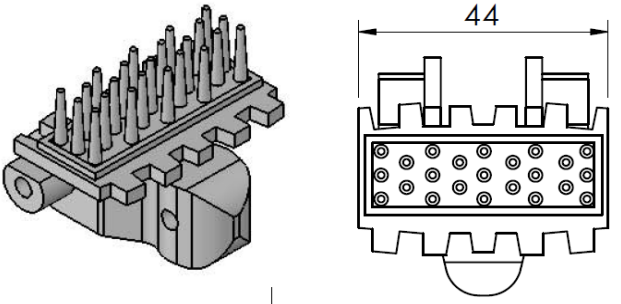
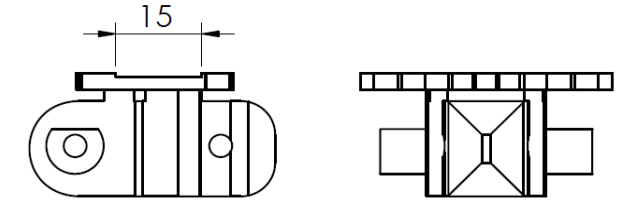
Steel top chain 不鏽鋼面鏈條

Chain	Link
FSTP 5TF	FSTL 44TF



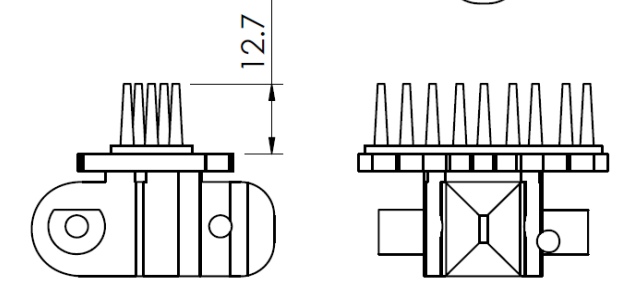
Cleated chain 檔板鏈條

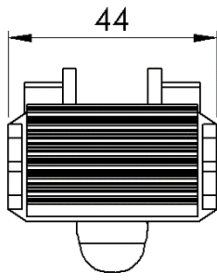
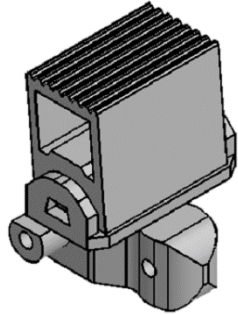
Chain	Link
F3904484	F3903724



Flexible cleat chain 彈性鏈條

Chain	Link
FSTE 5B	FSTL 44B





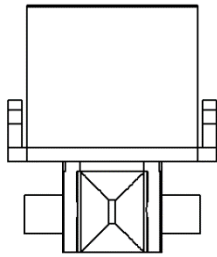
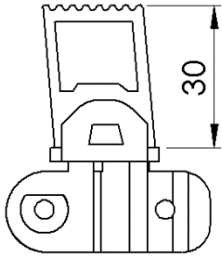
Flexible cleat chain 彈性鏈條

Chain	Link
-------	------

FSTE 5D	FSTM 44D
---------	----------

Cleat top 彈性頂部	FSTX 36D
----------------	----------

Basic link 鏈條底座	FSTM 44
-----------------	---------



F45

FT

FS

FL

F65

FM

F85

FH

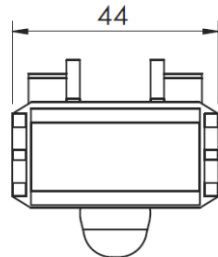
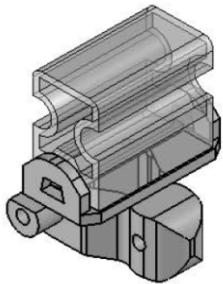
FK

FB

Spiral

FW

IDX



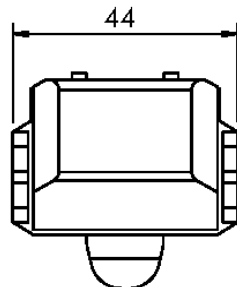
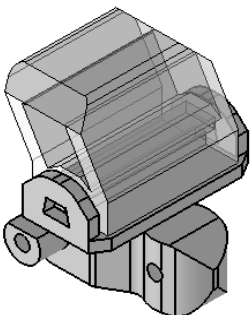
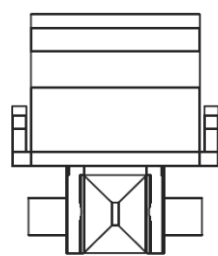
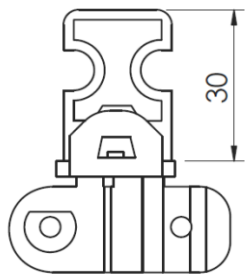
Flexible cleat chain 彈性鏈條

Chain	Link
-------	------

FSTE 5DA	FSTM 44DA
----------	-----------

Cleat top 彈性頂部	FSTX 36DA
----------------	-----------

Basic link 鏈條底座	FSTM 44
-----------------	---------



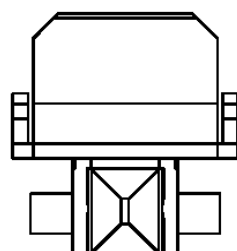
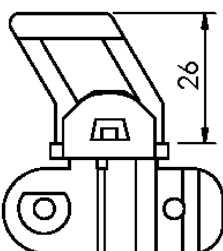
Flexible cleat chain 彈性鏈條

Chain	Link
-------	------

FSTE 5DB	FSTM 44DB
----------	-----------

Cleat top 彈性頂部	FSTX 36DB
----------------	-----------

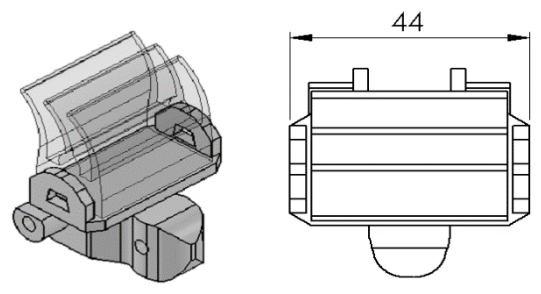
Basic link 鏈條底座	FSTM 44
-----------------	---------



FS

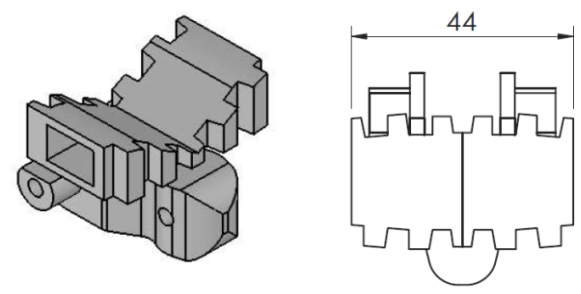
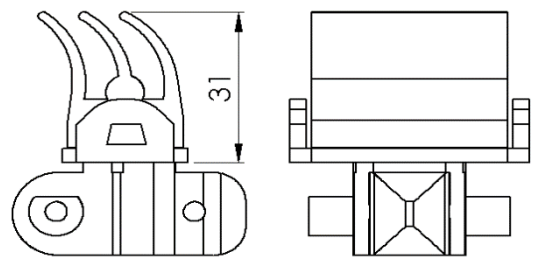
Pitch
25.4mm

- F45
- FT
- FS**
- FL
- F65
- FM
- F85
- FH
- FK
- FB
- Spiral
- FW
- IDX



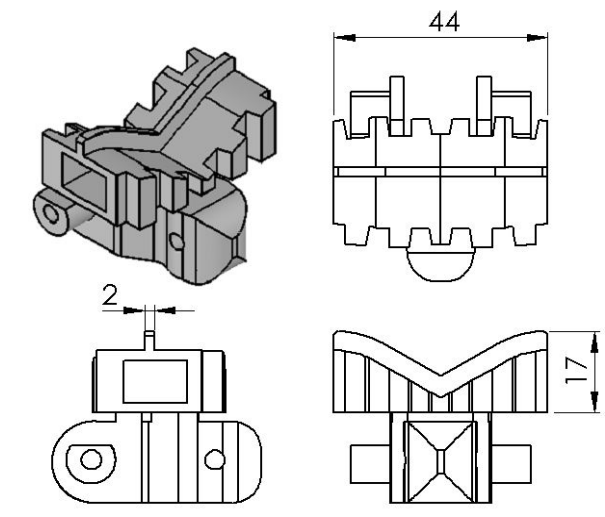
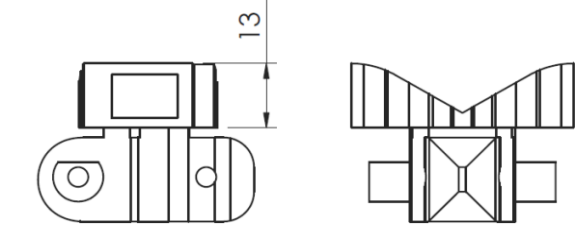
Flexible cleat chain 彈性鏈條

Chain	Link
FSTE 5C	FSTM 44C
Cleat top 彈性頂部	FSTX 36C
Basic link 鏈條底座	FSTM 44



Cleated chain 檔板鏈條

Chain	Link
F3903721	F3903720
V-block	



Cleated chain 檔板鏈條

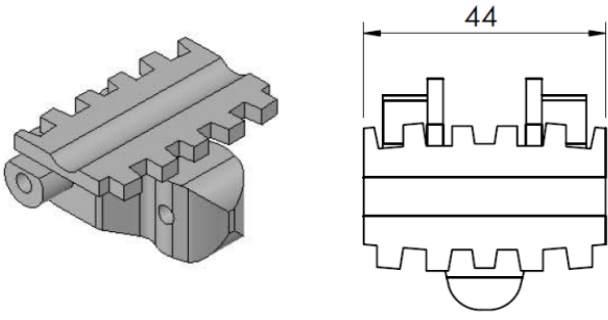
Chain	Link
F3904688	F3904687

		<p>Universal chain 多功能鏈條</p> <table border="1"> <thead> <tr> <th>Chain</th> <th>Link</th> </tr> </thead> <tbody> <tr> <td>FSTF 5U</td> <td>FSTL 44U</td> </tr> </tbody> </table>	Chain	Link	FSTF 5U	FSTL 44U	<p>F45 FT FS</p>
Chain	Link						
FSTF 5U	FSTL 44U						
		<p>Cleated chain 檔板鏈條</p> <table border="1"> <thead> <tr> <th>Chain</th> <th>Link</th> </tr> </thead> <tbody> <tr> <td>F73338</td> <td>n.a.</td> </tr> </tbody> </table>	Chain	Link	F73338	n.a.	<p>FL F65 FM F85 FH FK FB Spiral FW IDX</p>
Chain	Link						
F73338	n.a.						
		<p>Flocked chain 植絨鏈條</p> <table border="1"> <thead> <tr> <th>Chain</th> <th>Link</th> </tr> </thead> <tbody> <tr> <td>FS Flocked chain</td> <td>n.a.</td> </tr> </tbody> </table>	Chain	Link	FS Flocked chain	n.a.	
Chain	Link						
FS Flocked chain	n.a.						

FS

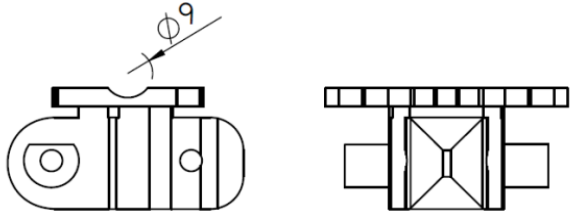
Pitch
25.4mm

- F45
- FT
- FS**
- FL
- F65
- FM
- F85
- FH
- FK
- FB
- Spiral
- FW
- IDX

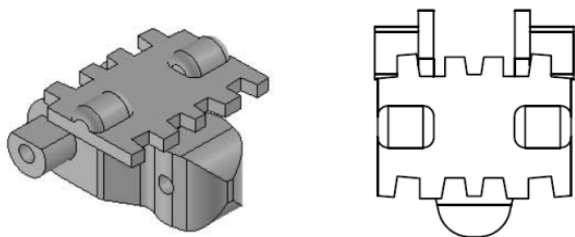


Cleated chain 檔板鏈條

Chain	Link
F5048339	F5048338

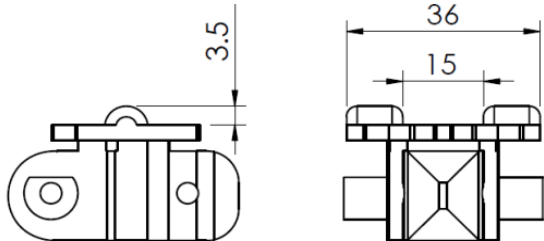


Transport of cigarette
香菸運輸

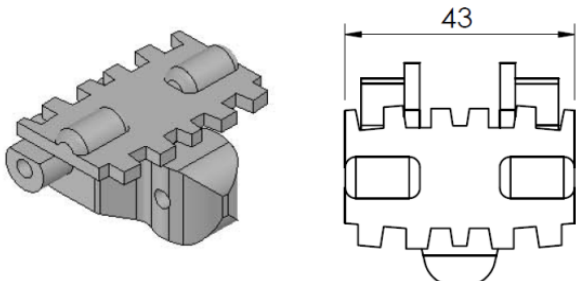


Cleated chain 檔板鏈條

Chain	Link
F3924150-36	F3902430-36
POM	

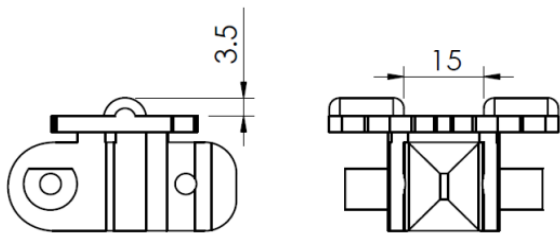


Transport of cigarette
香菸運輸



Cleated chain 檔板鏈條

Chain	Link
F3924150	F3902430
POM	
F3905798	F3905797
PBT	



Transport of cigarette
香菸運輸